

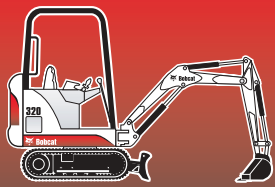


Bobcat®

320



IR Bobcat



320

Operating weight - with rubber tracks	Canopy 1580 kg	Cab 1689 kg
Travel speed	0 - 1.5 km/h and 0 - 2.9 km/h	
Engine	11.7 kW (15.7 HP)	
Breakout force (over bucket cylinder)	1516 daN	
Transmission Drawbar Pull	1660 kg	
Maximum depth	2197 mm	



GENERAL INFORMATION

Operating weight -with rubber tracks	canopy 1580 kg	cab 1689 kg
Travel speed	0 - 1.5 / 0 - 2.9 km/h	
Controls:	Two hand levers / foot pedals for control of speed and direction	
Vehicle	Two hydraulic joysticks control dipperstick, bucket, boom and slew. Hand lever for blade. Right foot control for boom offset. Left foot control for two-way auxiliary hydraulics.	
Excavator function		



ENGINE

Make	Kubota	
Model	D-722-E	
Fuel	Diesel	
Power (ISO 9249)	11.7 kW (15.7 HP) @ 3000 RPM	
Displacement	0.719 l	
Maximum torque (DIN 6270 B)	42 Nm @ 1800 RPM	
Number of cylinders	3	
Bore x stroke	67 x 68 mm	
Cooling system	Liquid	
Starter	12 Volt, 1.4 kW	
Alternator	12 Volt, 40 Amp.	



SLEW SYSTEM

Slew drive	Orbit motor	
Slew circle	Single row shear type ball bearings with internal gear	
Slew speed	10.9 RPM @ 3000 RPM	
Boom swing		
- left	50°	
- right	90°	



BREAKOUT FORCE (ISO)

Over dipperstick cylinder	877 daN
Over bucket cylinder	1516 daN



HYDRAULIC SYSTEM

Pump type	Triple section gear pump	
Capacity	2 x 15 l/min + 30 l/min	
Auxiliary flow	30 l/min	
System relief setting	17241 kPa	
Control valves	9 spools	



TRANSMISSION

Final drive	Each track independently driven by axial piston motor	
Gradeability	58 % / 30°	
Drawbar Pull	1660 kg	



BRAKES

Travel	Hydraulic lock in motor circuit	
Slew	Hydraulic lock on motor and pin lock	



UNDERCARRIAGE

Width of rubber track	230 mm	
Number of track rollers	3 each side	
Ground pressure	canopy	cab
	29.9 kPa	30.8 kPa

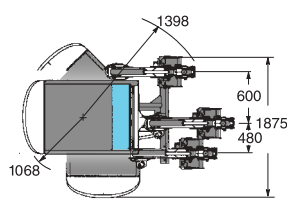
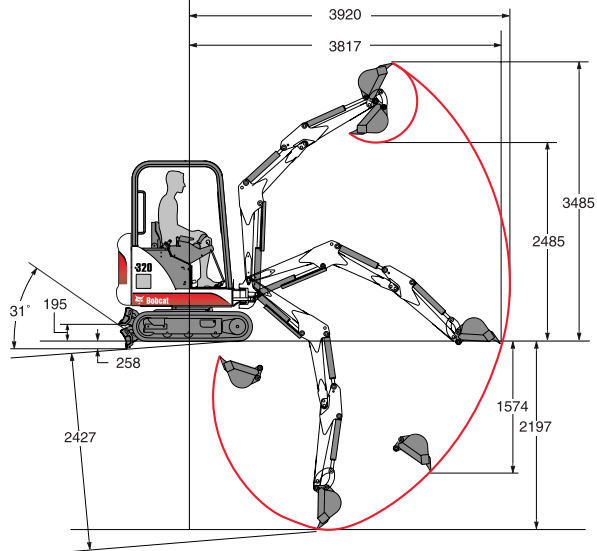


CAPACITIES

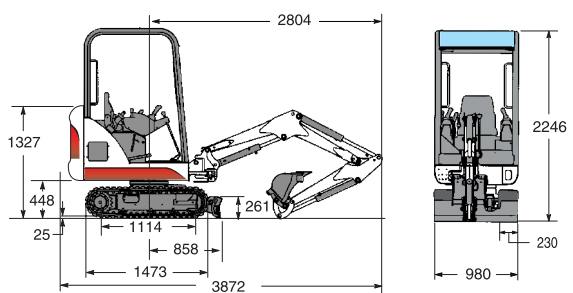
Fuel tank	27.5 l	
Cooling system	5.7 l	
Engine oil & filter	3.2 l	
Hydraulic reservoir	6.5 l	
Hydraulic system capacity	19.8 l	

WORKING RANGE

All dimensions are in mm.



DIMENSIONS



BOBCAT EUROPE
J. Huysmanslaan, 59 - B - 1651 LOT Belgium
© +32 (0)2 371 68 11 - Fax +32 (0)2 371 69 59

Where applicable, specifications conform to SAE standards. Specifications are subject to change without notice. Pictures of Bobcat miniexcavators may show other than standard equipment.